

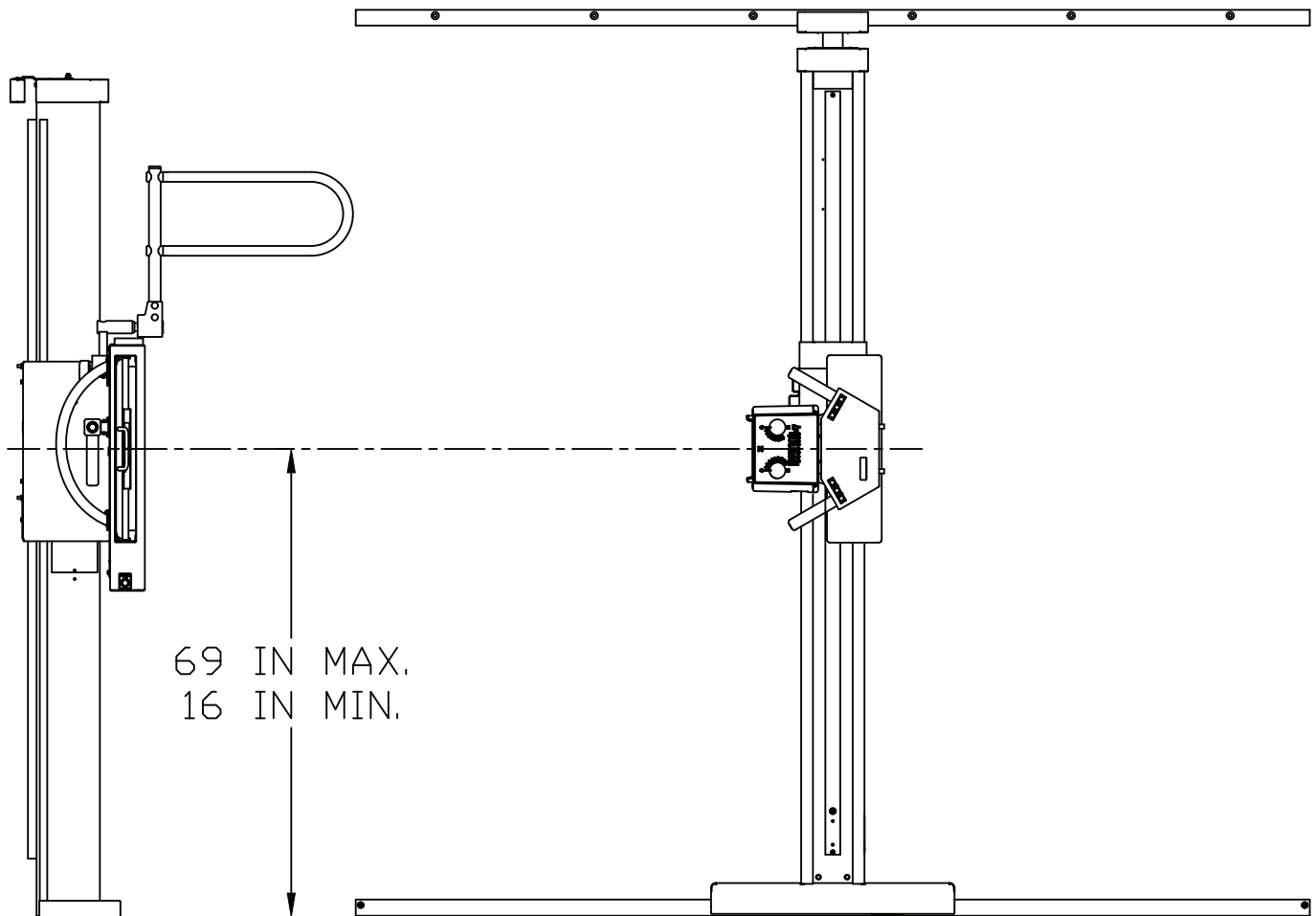


# CS ELITE

WALL MOUNTED CHEST STAND SYSTEM

The AMRAD Medical CS Elite system is designed for facilities that specialize in Pulmonology and Occupational Medicine. Advanced features like ergonomically correct release handle, electric locks and remote collimator light make positioning fast and efficient.

- 30-50kW generators
- Extensive vertical travel – 16”- 69”
- Accommodates a full range of upright exams
- Pair with an optional mobile table to expand imaging capabilities
- DR upgradeable - ask about our digital upgrade solutions



[www.amradmedical.com](http://www.amradmedical.com)

SUMMIT INDUSTRIES, LLC  
7555 N. Caldwell Avenue, Niles, Illinois 60714  
(p) 773-353-4000 | (p) 1-800-729-9729



LITR045-0523