



FDR CROSS

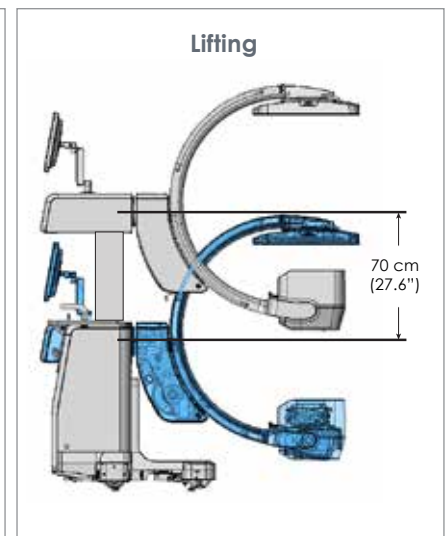
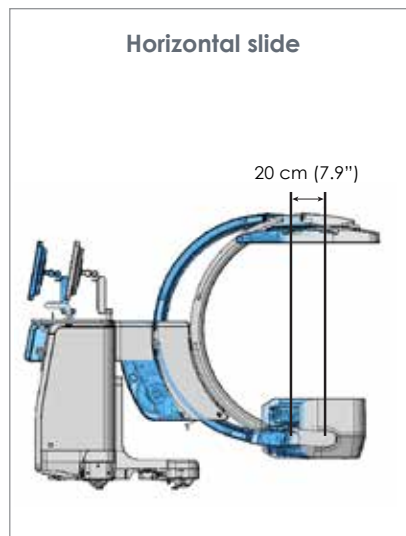
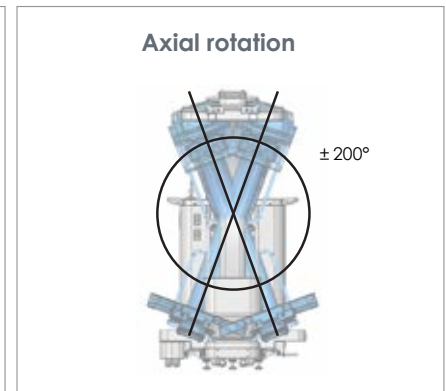
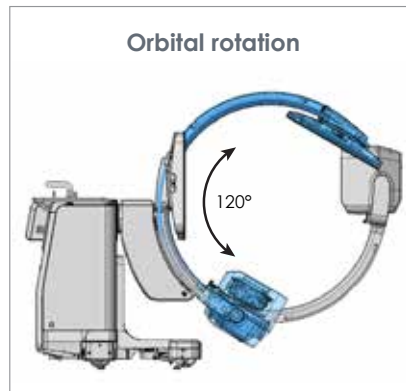
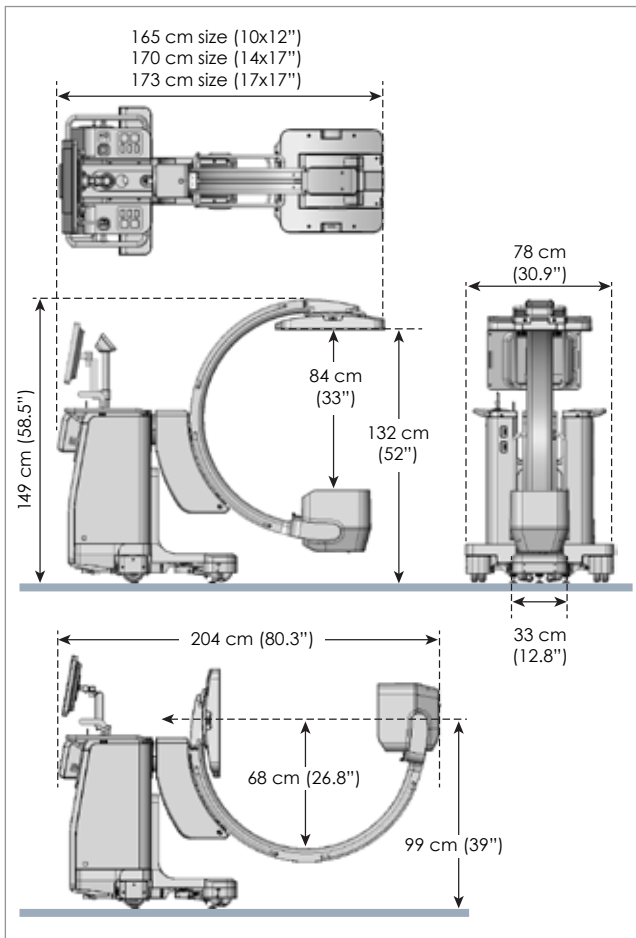
Wireless c-arm and portable x-ray solution

System Specifications

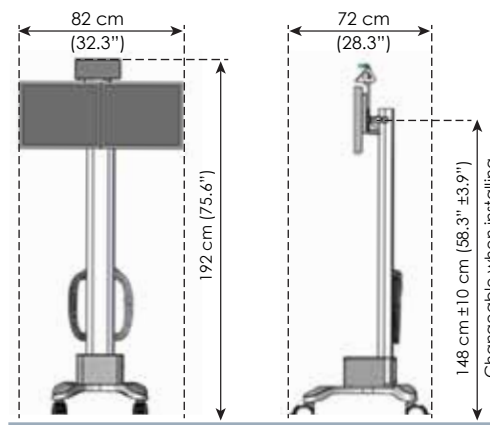


Ergonomics and weight	C-arm unit: 249 kg (549 lb) SID: 107 cm	Open space: 83.7 cm (33")
Range of motion	Orbital rotation: -90° / +30° (120°) Angular rotation: ±200°	Vertical travel: 70 cm (27.5")
X-ray tube	Model: stationary anode Focal spot: 0.6 mm Anode thermal capacity: 85 kHU (60 kJ) Anode continuous cooling rate: 840 HU/sec (600 W) Copper Filter: 0.1 mm radiography, 0.2 mm fluoroscopy	
X-ray generator	Power: 2 kW max kV: 110 kV max mA (pulsed fluoroscopy): 20 mA max mA (radiography mode): 25 mA	
Exposure modes	Auto-mode (low dose, standard, high image quality) Manual mode	
Flat panel detector	Technology: CsI coupled to TFT matrix aSi Pixel pitch: 150 µm Useful area: 350x425 mm ² / 425x425 mm ² / 247x297 mm ² Matrix: 2836x2336 pix / 2836x2832 pix / 1980x1648 pix Frame rate: 15/8/4/2 FPS Available sizes: 43 cm, 35 cm, 25 cm	
Image quality	A/D conversion: 16 bits	
Anti-scatter x-ray grid	Application: User removable Material: Aluminum interspace	Line rate: 80 lines/cm; ratio 6:1 Focal distance: 107 cm
Laser localizer	Operation: cross light on flat panel and x-ray tube side Laser diode power: < 5 mW, 1 M Class Wavelength: 635 nm	
Operator control panel	Color 17" touchscreen LCD panel Resolution: 1284x1024 pix	
Power	Battery life time: 8 hrs fully charged, including 25 min fluoroscopy System can also be used plugged in standard AC outlet Power supply: 100-240 VAC (+/- 10%), 50/60 Hz, 5 - 12 A Battery: Li-ion Charging Time: 15 min charge for continuous 2 min fluoroscopy 4 hrs empty to full charge (80% / 3 hrs)	

Dimensions



Cordless Viewstation



View station	Color LCD panel LED backlight Size: Dual 19" monitors	Resolution: 1280x1024 pix Brightness: 350 Cd/m ²
Core clinical applications	Orthopedic Neurologic Urologic Endoscopic	Cholangiographic Peripheral vascular Pain management
DICOM compatibility	Dicom Modality Worklist Dicom Store Dicom Print Dicom RDSR Structured Dose Report	Dicom Query/Retrieve Dicom Media Export, USB Dicom Media Export, CDROM Dicom Storage Commitment
Power	Power supply: 100-240 VAC Supply frequency: 50-60 Hz Power input: 2.1 – 5 A	