

FMTS

Floor Mount Tube Stand

medical devices

RELIABILITY MATTERS

Faster Support - Faster Parts



Touchscreen Operation available

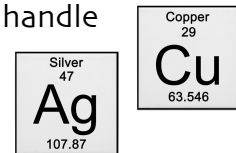
Seamless Extrusion Design

The triton's user interface displays real time table / Bucky SID. When rotated left or right, the backlit LCD display changes from SID inches, to tube angulation, in one-degree increments.

Once the tube angle achieves ninety-degrees, it displays real time SID distance to a wall stand. This user interface allows quick SID positioning and thus rapid patient throughput.

The triton tube stand features an exclusive seamless column for extreme rigidity. This column contains hardened, serviceable, bearing races for limitless life -- our tube stands are designed to last decades. Also included is a positive vertical lock for position retention during power outage as well as potentiometers for height & longitudinal feedback for accurate SID positioning. Counter weights are secured by twin, multi-stranded stainless steel cables. Ball bearing construction throughout. Finished with durable powder coated surfaces.

Copper and/or silver flashed squeeze handle for combatting microorganisms.



Freestanding design without wall attachment for rapid installation and easy alignment.

CORE LABS
RADIOGRAPHIC
USA

3720 S. Lipan Street Englewood, CO 80110
T. (303) 761-0131 F. (303) 948-8913
WEB: www.corelabshome.com

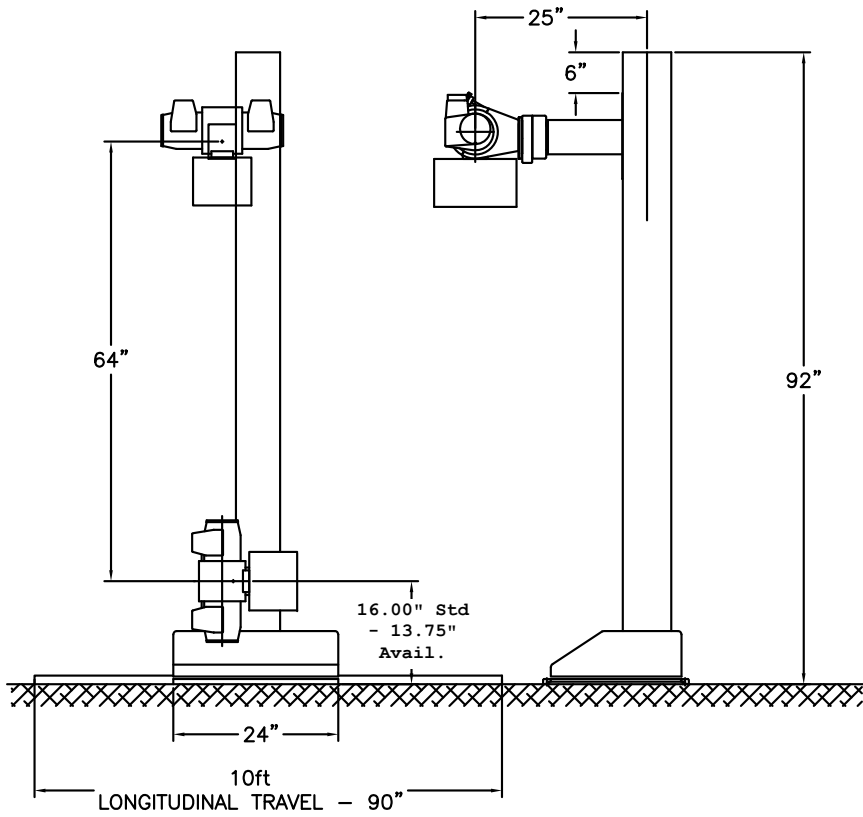


GMP Approved Facility



TUBE STAND SPECIFICATIONS

CORE LABS
RADIOGRAPHIC
USA



triton^{RAD}

Custom configurations
up to 1.5 mHu tubes

- (Model No: 09-000)
- Standard Longitudinal travel 90"
 - **Extended Travels Available
 - Overall height 92"
 - Minimum distance to wall 12"
 - Max height of tube center 79"
 - Minimum height of tube 16" (13.75" Available).
 - Collapsed length from stand 25"
 - Travel from table center +/- 5" each direction
 - Column rotation 180 degrees each direction
 - Tube rotation 180 degrees each direction
 - Base footprint 120" x 20"
 - Freestanding design
 - Optional platform / port & large trunnion mounts available
 - Custom tube applications available
 - Electrical requirements: 115/220-VAC, 50/60Hz, 5 Amps
 - Onboard 24v power for collimator

